

PALOS

19-Oct.-2018

1.0

LED 8W | 220-240VAC | 50-60Hz | COB 3-step | incl. PS | phase-cut dim

CE IP65 0.3m 0.3m

3000K | >90CRI | 480lm

white texture
dark grey texture

716174W5
716174D5

2.0

LED 2x8W | 220-240VAC | 50-60Hz | COB 3-step | incl. PS | phase-cut dim

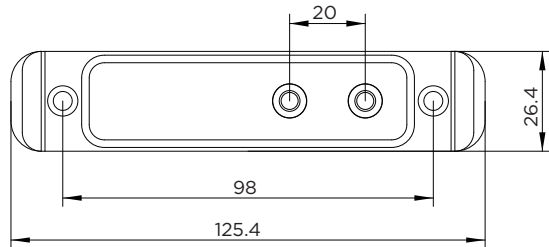
CE IP65 0.3m 0.3m

3000K | >90CRI | 2x480lm

white texture
dark grey texture

716274W5
716274D5

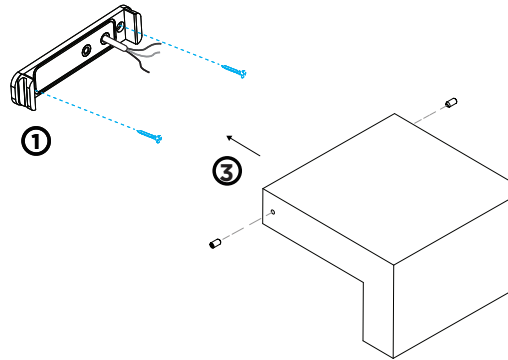
back plate dimensions



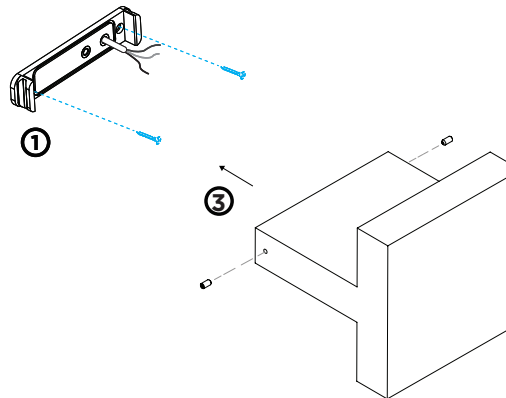
necessary for IP-rating

	A	B	C
CABLE			
TYPE	ROUND H05RN-F H07RN8-F H07RN-F	ROUND H05RN-F	ROUND
OUTSIDE Ø	min 6.8mm max 8.9mm	min 5mm max 6.8mm	min 1.5mm max 2.6mm
CONDUCTION SECTION	2or3x 0.75mm ² 2or3x 1.0mm ² 2or3x 1.5mm ²	2or3x 0.75mm ² 2x 1.0mm ²	0.75mm ² 1.5mm ²

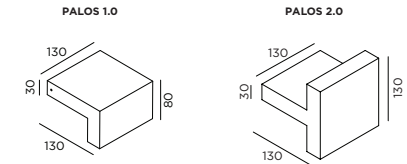
PALOS 1.0



PALOS 2.0



DIMENSIONS

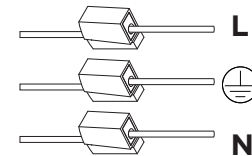


MOUNTING INSTRUCTION

- Remove the back plate and fixate to the wall with screws

POWER CONNECTION

- Connect the wires with the terminals.



- Mount the PALOS on the back plate



WEVER & DUCRÉ
LIGHTING

www.weverducre.com

Wever & Ducre bvba Spinnerijstraat 99/21 8500 Kortrijk

**INSTALLATION
INSTRUCTIONS**